

Company :	Date :	2018/06/11.
To :	From :	agrava
Subject :	Page :	1 / 4
Reference :		

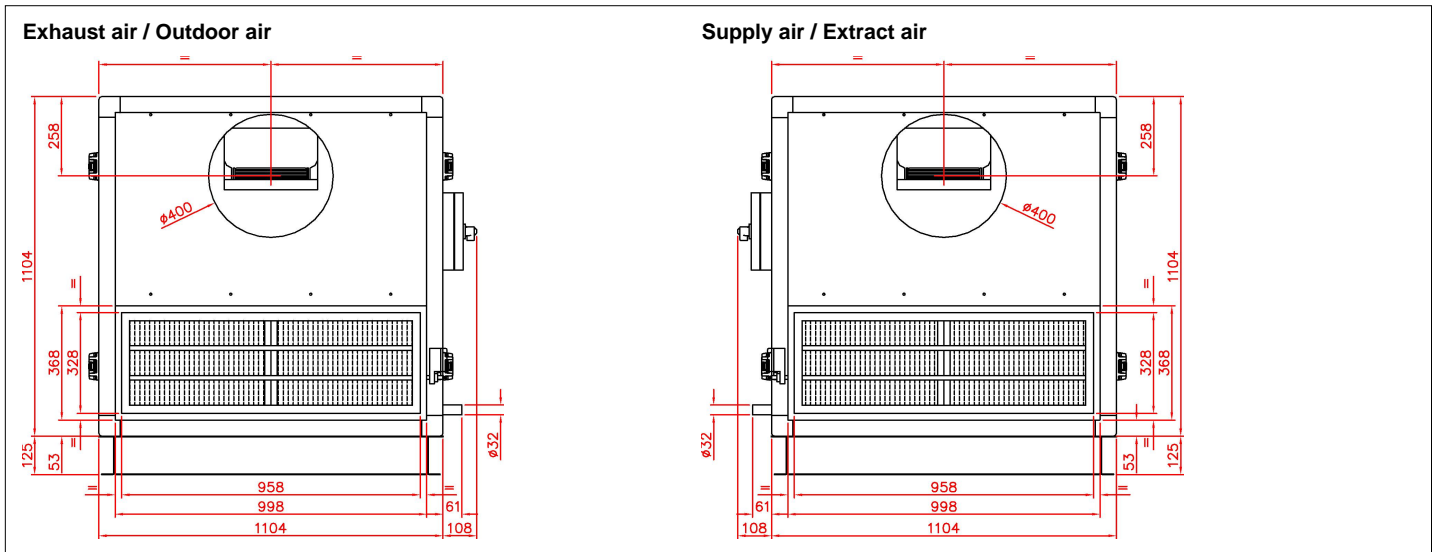
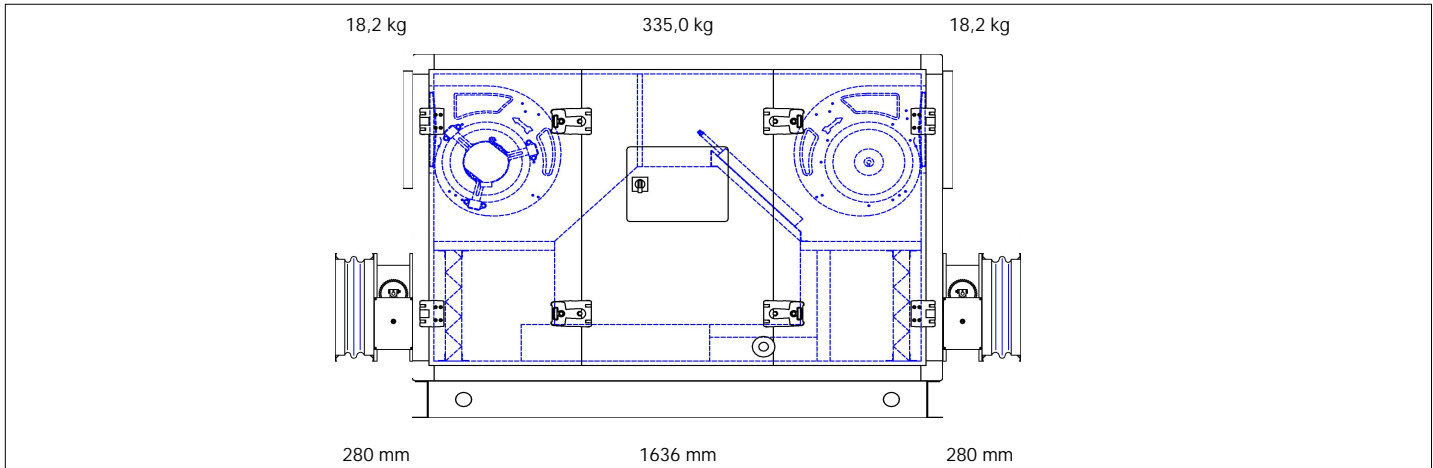
Model :	<b>GLOBAL PX 2000 FW R</b>
---------	----------------------------

The GLOBAL PX FW series is a range of mechanical home ventilation units (up to 6.000 m<sup>3</sup>/h or 1.666 l/s) with high efficiency (>90% acc. EN308) heat recovery, consisting of aluminium counterflow heat exchangers, a stainless steel drain pan, M5 and F7 class filters and of TAC technology centrifugal fans with high efficiency electronic motors. It will be delivered ready to use, entirely pre-cabled (the options as well) and with a remote control which will allow to control the unit without opening it. All that'll need to be done is to connect the power (outside the unit), to connect the remote control and to set the parameters and that's it ! The device will be delivered as standard with a modulating by-pass (100%), and its pre-cabled control. The new control is designed to receive and monitor the different options available according to your needs.

The structure of the unit is in extruded anodized aluminium profile, articulated around strengthened polypropylene modules. Panels are 50 mm double skin. The outside is made of polyester pre-painted steel, and the inside is made of galvanized steel. The heat and sound insulation is made of mineral wool. The GLOBAL PX FW series is mounted on base frame, and is made in one piece (mono block). The doors are equipped with handles and hinges. Airtightness of the group allows to classify the device in class 1 for the internal leaks and class 2 for the external leaks according to standard EN 13141-7.

EN1886 Classification :

Mechanical resistance class of the envelope: D1  
Thermal transmittance class U : T3  
Thermal bridge class Kb : TB3  
Airtightness of the envelope class (exhaust and supply airstreams) : L2  
Airtightness around the filters class (exhaust and supply airstreams) : F9





Company :	Date :	2018/06/11.
To :	From :	agrava
Subject :		
Reference :	Page :	3 / 4

Model :	<b>GLOBAL PX 2000 FW R</b>
---------	----------------------------

**Internal post-heating (Warm water) - NVr**

A post-heating water coil is placed inside the unit and makes it possible to control either the supply air temperature in the room, or to manage a comfort temperature of the room by controlling the temperature at the inlet of exhaust air. This coil is delivered ready to be connected to the heating network, with a complete set of controls including a motorized 3 way valve. The 3-way valve has been selected so that 50% of the available pressure drop is above the valve (authority of 0,5). Just key in the desired temperature and the controls will modulate the coil capacity to reach this set value, according to the supply or exhaust temperature (depending on the option chosen). The outside panel of the AHU equipped with plug fans (Backwards) is factory drilled to facilitate the passage of hydraulic connections.

Coil name :	HRg 2000-1	Air inlet T° :	13,7 °C	Connection diam. :	1/2"
Number of rows :	1	Outlet air T° :	20,2 °C	Fluid type :	Water
Number of circuits :	1	Airflow :	2000 m <sup>3</sup> /h	Glycol %age :	0 %
Total capacity :	4,44 kW	Air speed :	2,24 m/s	Fluid T° in/out :	80,0 / 60,0 °C
		Air pressure drop :	15 Pa	Fluid flow :	195 l/h
				Fluid pressure drop :	3,00 kPa

**Filter - G/F**

The heat recovery ventilation unit is equipped with M5 class plane filters at the inlet of the polluted air and F7 class plane filters at inlet of the fresh air, to correctly protect the heat exchanger and guarantee optimum air quality inside the building. Filters are easily accessible through the access doors for maintenance purposes. F7 plane filters on both sides (supply & exhaust) are available as an additional option.

				<u>Supply</u>	<u>Exhaust</u>
Filter class :	F7	Dimensions :	503 x 370 x 50 mm	Air speed :	1,49 m/s
		Quantity :	2	Filter pressure drop :	99 Pa
Filter class :	M5	Dimensions :	503 x 370 x 50 mm	Air speed :	1,49 m/s
		Quantity :	2	Filter pressure drop :	28 Pa

**Damper(s) - CTm**

The dampers are motorized and pre-wired, to cut the draft during the powering off of the device. It comes with a pre-wired servo motor and is controlled by the controller of the air handling unit. The frame is in galvanised steel, the blades in aluminum and the bearings and bushes are in nylon. The external gears, in plastic material, allow a transmission without looseness or deformation. The blades are fitted with a rubber sealing.

Air tightness circular dampers according EN 1751: Class 3  
 Air tightness rectangular dampers according EN 1751: Class 2

			<u>Supply</u>	<u>Exhaust</u>	
External dimensions :	365 x 995 mm	Air speed :	2,13	2,13	m/s
Internal dimensions :	285 x 915 mm	Damper pressure drop :	6	6	Pa

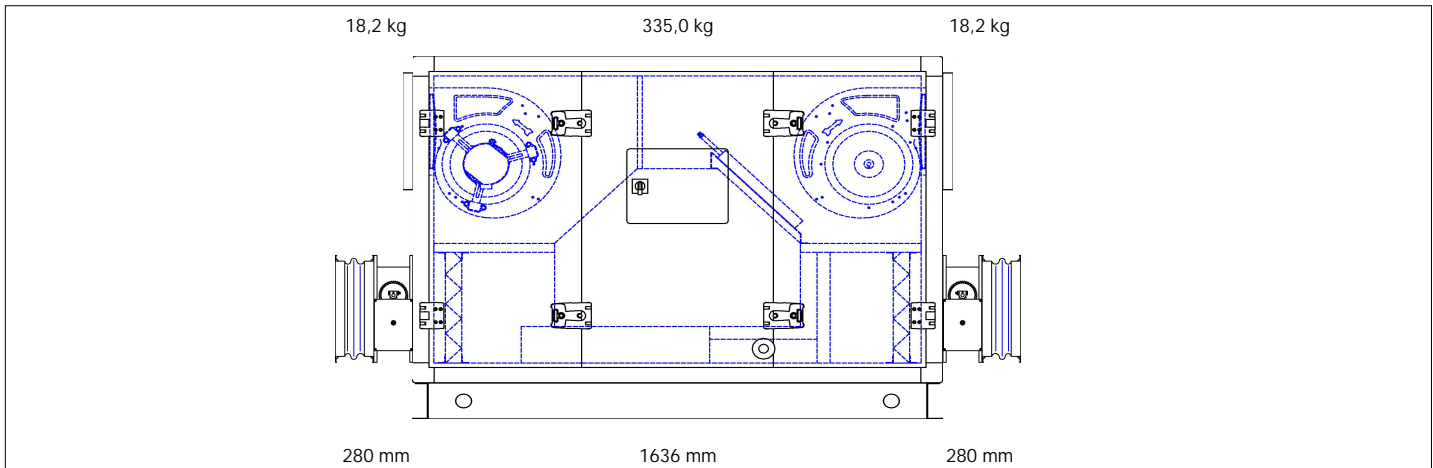
<b>Circular outlet - SR ø 400 mm</b>
--------------------------------------

<b>Base frame - BA</b>
------------------------

<b>Flexible connection + Slip Clamp (air in) - MS</b>
-------------------------------------------------------

Company :	Date :	2018/06/11.
To :	From :	agrava
Subject :	Page :	4 / 4
Reference :		

Model :	<b>GLOBAL PX 2000 FW R</b>
---------	----------------------------



<b>Manufacturing info</b>		
885309	882038	882038
882033	880563	880563
882645	882645	



<b>Detail</b>	
<u>IDCode</u>	<u>Description</u>
885309	GLOBAL PX 2000 FW R
882033	GLOBAL PX 2000 NV
882645	GLOBAL PX 2000 SR (in+out)
882038	GLOBAL PX 2000 CT
880563	GLOBAL PX 2000 MSA
882645	GLOBAL PX 2000 SR (in+out)
882038	GLOBAL PX 2000 CT
880563	GLOBAL PX 2000 MSA

<b>Accessories (included)</b>		
<u>IDCode</u>	<u>Quantity</u>	<u>Description</u>
372096	1	HMI TACtouch touchscreen user interface
370005	1	SAT3 Relay satellite (fan ON or CT+ AL dPA)

<b>Options (not included)</b>		
<u>IDCode</u>	<u>Quantity</u>	<u>Description</u>
510091	1	GF Filter kit GLOBAL PX 2000 (M5/F7)
372004	1	KIT SAT TAC5 BA/KW Regulation satellite for external coil (0-10V)
025006	1	SAT TAC5 MODBUS Communication satellite Modbus RTU
370015	1	SENS Wallmounting air quality sensor
370016	1	SENS Duct air quality sensor

SERVOLUX SIA Gan bu dambis 30/1-303 Gan bu dambis 30/1-303 Tel.+371.29167325 Fax.+46(0)31/899469 info@servolux.lv