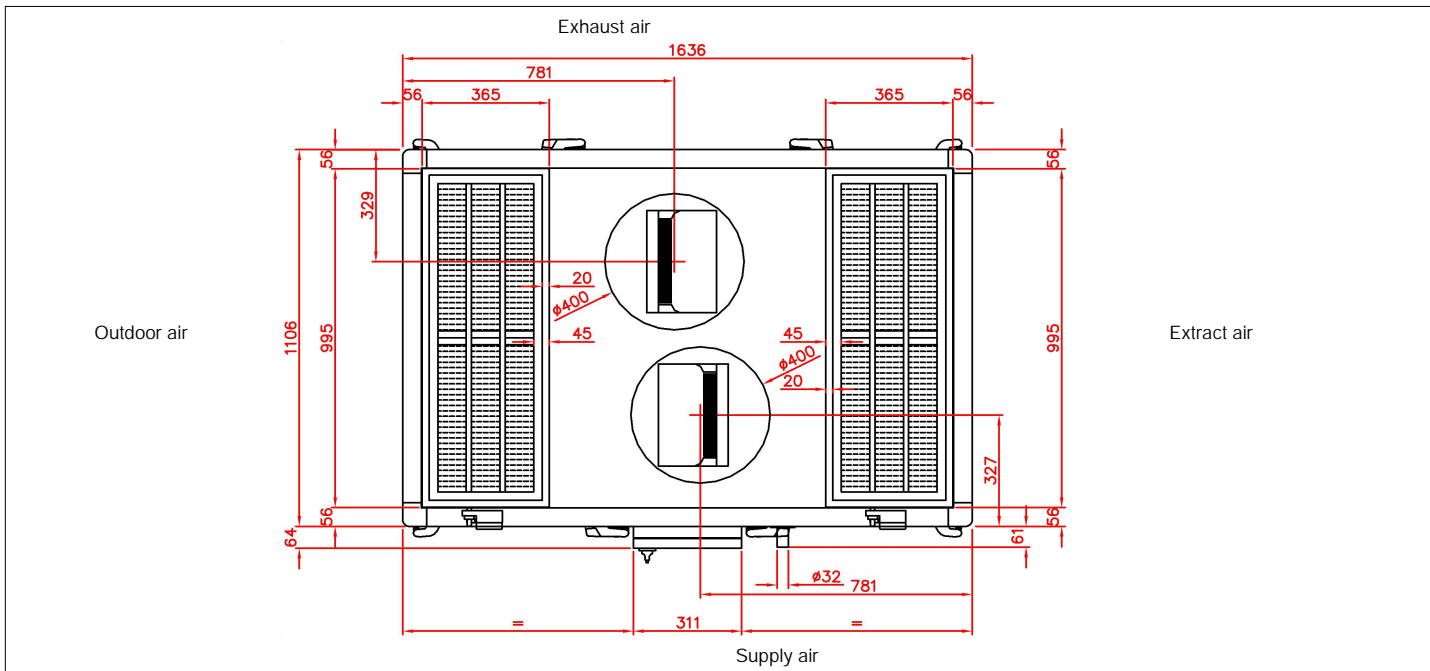
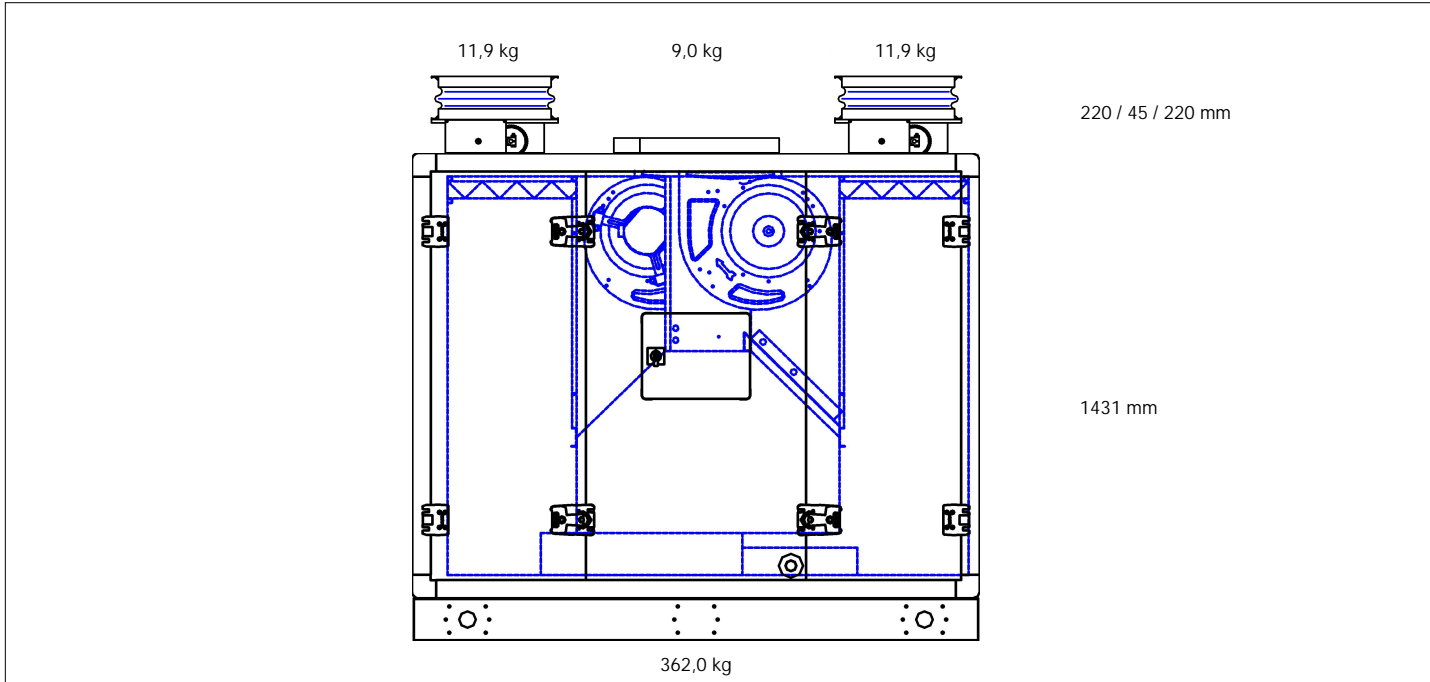


Company :	Date :	2018/06/11.
To :	From :	agrava
Subject :	Page :	1 / 4
Reference :		

Model : **GLOBAL PX TOP 2000 FW R**

The GLOBAL TOP FW series is a range of mechanical home ventilation units (up to 2000 m³/h or 555 l/s) with high efficiency (90 % and more) heat recovery, consisting of aluminium counterflow heat exchangers, a stainless steel drain pan, M5 and F7 class filters and of TAC technology centrifugal fans with high efficiency electronic motors. It will be delivered ready to use, entirely pre-cabled (the options as well) and with a remote control which will allow to control the unit without opening it. All that'll need to be done is to connect the power (outside the unit), to connect the remote control and to set the parameters and that's it ! The device will be delivered as standard with a modulating by-pass (100%), and its pre-cabled control. The new control is designed to receive and monitor the different options available according to your needs. The structure of the unit is in extruded anodized aluminium profile, articulated around strengthened polypropylene modules. Panels are 50 mm double skin. The outside is made of polyester pre-painted steel, and the inside is made of galvanized steel. The heat and sound insulation is made of 48 mm fireproofed rockwool panels, in conformity with the European standards for the environment. The GLOBAL TOP FW series is mounted on base frame, and is made in one piece (mono block). All the access doors to the filters are equipped with handles. Airtightness of the group allows to classify the device in class 1 for the internal leaks and class 2 for the external leaks according to standard EN 13141-7.



Company :	Date :	2018/06/11.
To :	From :	agrava
Subject :		
Reference :	Page :	2 / 4

Model :	GLOBAL PX TOP 2000 FW R
---------	--------------------------------

Supply : Fans + Controls	
Voltage :	1 x 230 V
Intensity :	14,3 A max.
Electrical protection :	D16A - 10kA - AC3

Fans - TAC	
Units are equipped with high efficiency TAC (Total Airflow Control) technology fans. They are driven by electronically commutated motors and allow accurate control of the fan's actual working point. The efficiency of the motor remains between 85% and 60%, whatever the working point. The motor is a permanent magnet DC driven motor but AC power supplied.	
	Fan name : DD 11-9 TAC 3/4
	Number of fans : 1 + 1
	Sound power spectrum (fan only)-(dB re.10E-12 W/m ²)
Airflow :	2000 m ³ /h
Internal pressure drop :	294 Pa
External pressure drop :	200 Pa
Extra available pressure drop :	187 Pa
Rotation speed :	1292 rpm
Voltage :	230 V
Intensity :	4,05 A
Power :	680 W
Specific fan power, SFPv (clean filters) :	2,39 kW/(m ³ /s)
	Radiated A weighted Sound pressure level for ducted unit in free field (d=3m) 37,7 dBA
	<small>(RF=600000000/DF=1/ZF=20,40)-(dB re. 20 µPa)</small>

Controls	
The units GLOBAL PX TOP FW are delivered fully pre-wired as standard ('plug & play') with main switch and complete control of the unit. The latter includes all the necessary components and is fully wired to T° probes, fans, main switch, modulating by-pass, as well as all options such as pre and post heating (except MURAL PX TOP 450 FW). Connect the power supply and configure the parameters and the unit is ready to run.	
The controller monitors each component:	
<ul style="list-style-type: none"> •Setting and piloting of TAC fans in selected mode: CA (constant flow), CP (constant pressure measured by an optional external sensor), LS (link with signal 0 - 10V, for example a CO2 air quality sensor) or TQ (constant torque) • Automatic freecooling control via the modulating bypass •Antifrost system of the air/air heat exchanger (airflow modulation, electrical coil or via modulating bypass) •Control of internal post-heating coil (water or electrical) •Control of external post-heating coil (water or electrical) or cooling coil (water), or reversible coil (heating or cooling water coil) •Open/Close motorized dampers •Time slot management (scheduling) •Alarms management (fire, pressure, maintenance, component failure,...) •Display and management of all system parameters via TACtouch, BMS or web page (option) •MODBUS (RTU, TCP/IP and GPRS), BACnet or KNX (option) 	

Heat Recovery unit - CF																																																									
The heat exchanger is an air/air high efficiency counterflow heat exchanger, executed in sea water resistant aluminium, at a temperature of up to 80°C. The airtightness tests according to DIN1946 show a leakage rate of 0.017 % at 400 Pa difference between the 2 air streams. The heat exchanger is compliant to standard EN 308. The technical selection as presented below is realised with the Eurovent certified selection software from our supplier of the rotary heat exchanger.																																																									
Eurovent Certification Diploma N° : 05.03.243 & 11.07.006																																																									
Updates of this document are available via: http://www.eurovent-certification.com .																																																									
Air pressure :	1013 mbar																																																								
	<table border="1"> <tr> <td></td> <td style="text-align: center;"><u>Supply</u></td> <td style="text-align: center;"><u>Exhaust</u></td> <td></td> <td style="text-align: center;"><u>Supply</u></td> <td style="text-align: center;"><u>Exhaust</u></td> <td></td> </tr> <tr> <td>Airflow :</td> <td>2000</td> <td>2000</td> <td>m³/h</td> <td>Air outlet temperature :</td> <td>18,7</td> <td>-6,8 °C</td> </tr> <tr> <td></td> <td>0,56</td> <td>0,56</td> <td>m³/s</td> <td>Relative humidity out :</td> <td>3,9</td> <td>100,0 %</td> </tr> <tr> <td>Airspeed through HRU :</td> <td>1,87</td> <td>2,20</td> <td>m/s</td> <td>Humidity out :</td> <td>0,5</td> <td>2,1 g/kg</td> </tr> <tr> <td>Air inlet temperature :</td> <td>-21,0</td> <td>22,0</td> <td>°C</td> <td>Capacity (W.B.) :</td> <td>26,7</td> <td>kW</td> </tr> <tr> <td>Relative humidity in :</td> <td>90,0</td> <td>40,0</td> <td>%</td> <td>Efficiency HRU (W.B.) :</td> <td>92,4</td> <td>%</td> </tr> <tr> <td>Humidity in :</td> <td>0,5</td> <td>6,6</td> <td>g/kg</td> <td>Capacity (D.B.) :</td> <td>24,2</td> <td>kW</td> </tr> <tr> <td>Pressure drop in HRU :</td> <td>171</td> <td>235</td> <td>Pa</td> <td>Efficiency HRU (D.B.) :</td> <td>83,8</td> <td>%</td> </tr> </table>		<u>Supply</u>	<u>Exhaust</u>		<u>Supply</u>	<u>Exhaust</u>		Airflow :	2000	2000	m ³ /h	Air outlet temperature :	18,7	-6,8 °C		0,56	0,56	m ³ /s	Relative humidity out :	3,9	100,0 %	Airspeed through HRU :	1,87	2,20	m/s	Humidity out :	0,5	2,1 g/kg	Air inlet temperature :	-21,0	22,0	°C	Capacity (W.B.) :	26,7	kW	Relative humidity in :	90,0	40,0	%	Efficiency HRU (W.B.) :	92,4	%	Humidity in :	0,5	6,6	g/kg	Capacity (D.B.) :	24,2	kW	Pressure drop in HRU :	171	235	Pa	Efficiency HRU (D.B.) :	83,8	%
	<u>Supply</u>	<u>Exhaust</u>		<u>Supply</u>	<u>Exhaust</u>																																																				
Airflow :	2000	2000	m ³ /h	Air outlet temperature :	18,7	-6,8 °C																																																			
	0,56	0,56	m ³ /s	Relative humidity out :	3,9	100,0 %																																																			
Airspeed through HRU :	1,87	2,20	m/s	Humidity out :	0,5	2,1 g/kg																																																			
Air inlet temperature :	-21,0	22,0	°C	Capacity (W.B.) :	26,7	kW																																																			
Relative humidity in :	90,0	40,0	%	Efficiency HRU (W.B.) :	92,4	%																																																			
Humidity in :	0,5	6,6	g/kg	Capacity (D.B.) :	24,2	kW																																																			
Pressure drop in HRU :	171	235	Pa	Efficiency HRU (D.B.) :	83,8	%																																																			

Company :	Date :	2018/06/11.
To :	From :	agrava
Subject :		
Reference :	Page :	3 / 4

Model :	GLOBAL PX TOP 2000 FW R
---------	--------------------------------

Internal post-heating (Warm water) - NVr

A post-heating water coil is placed inside the unit and makes it possible to control either the supply air temperature in the room, or to manage a comfort temperature of the room by controlling the temperature at the inlet of exhaust air. This coil is delivered ready to be connected to the heating network, with a complete set of controls including a motorized 3 way valve. The 3-way valve has been selected so that 50% of the available pressure drop is above the valve (authority of 0,5). Just key in the desired temperature and the controls will modulate the coil capacity to reach this set value, according to the supply or exhaust temperature (depending on the option chosen). The outside panel of the AHU equipped with plug fans (Backwards) is factory drilled to facilitate the passage of hydraulic connections.

Coil name :	HRu 2000-1	Air inlet T° :	13,7 °C	Connection diam. :	1/2"
Number of rows :	1	Outlet air T° :	20,0 °C	Fluid type :	Water
Number of circuits :	1	Airflow :	2000 m ³ /h	Glycol %age :	0 %
Total capacity :	4,35 kW	Air speed :	2,48 m/s	Fluid T° in/out :	80,0 / 60,0 °C
		Air pressure drop :	18 Pa	Fluid flow :	191 l/h
				Fluid pressure drop :	2,11 kPa

Filter - G/F

The heat recovery ventilation unit is equipped with M5 (G4 for 450) class plane filters at the inlet of the polluted air and M5 (G4 for 450) class plane filters at inlet of the fresh air, to correctly protect the heat exchanger and guarantee optimum air quality inside the building. However, the unit is originally delivered with a G4/G4 starter kit of filter. Once the unit has been running for a few weeks, filters need to be replaced by a M5/M5 (G4/G4 for 450) filters kit. Filters are easily accessible through the access doors for maintenance purposes. M5/F7 (G4/F7 for 450) filters kit are available as an additional option.

				<u>Supply</u>	<u>Exhaust</u>
Filter class :	F7	Dimensions :	503 x 370 x 50 mm	Air speed :	1,49 m/s
		Quantity :	2	Filter pressure drop :	99 Pa
Filter class :	M5	Dimensions :	503 x 370 x 50 mm	Air speed :	1,49 m/s
		Quantity :	2	Filter pressure drop :	28 Pa

Damper(s) - CTm

The dampers are motorized and pre-wired, to cut the draft during the powering off of the device. It comes with a pre-wired servo motor and is controlled by the controller of the air handling unit. The frame is in galvanised steel, the blades in aluminum and the bearings and bushes are in nylon. The external gears, in plastic material, allow a transmission without looseness or deformation. The blades are fitted with a rubber sealing.

Air tightness circular dampers according EN 1751: Class 3
 Air tightness rectangular dampers according EN 1751: Class 2

			<u>Supply</u>	<u>Exhaust</u>	
External dimensions :	365 x 995 mm	Air speed :	2,13	2,13	m/s
Internal dimensions :	285 x 915 mm	Damper pressure drop :	6	6	Pa

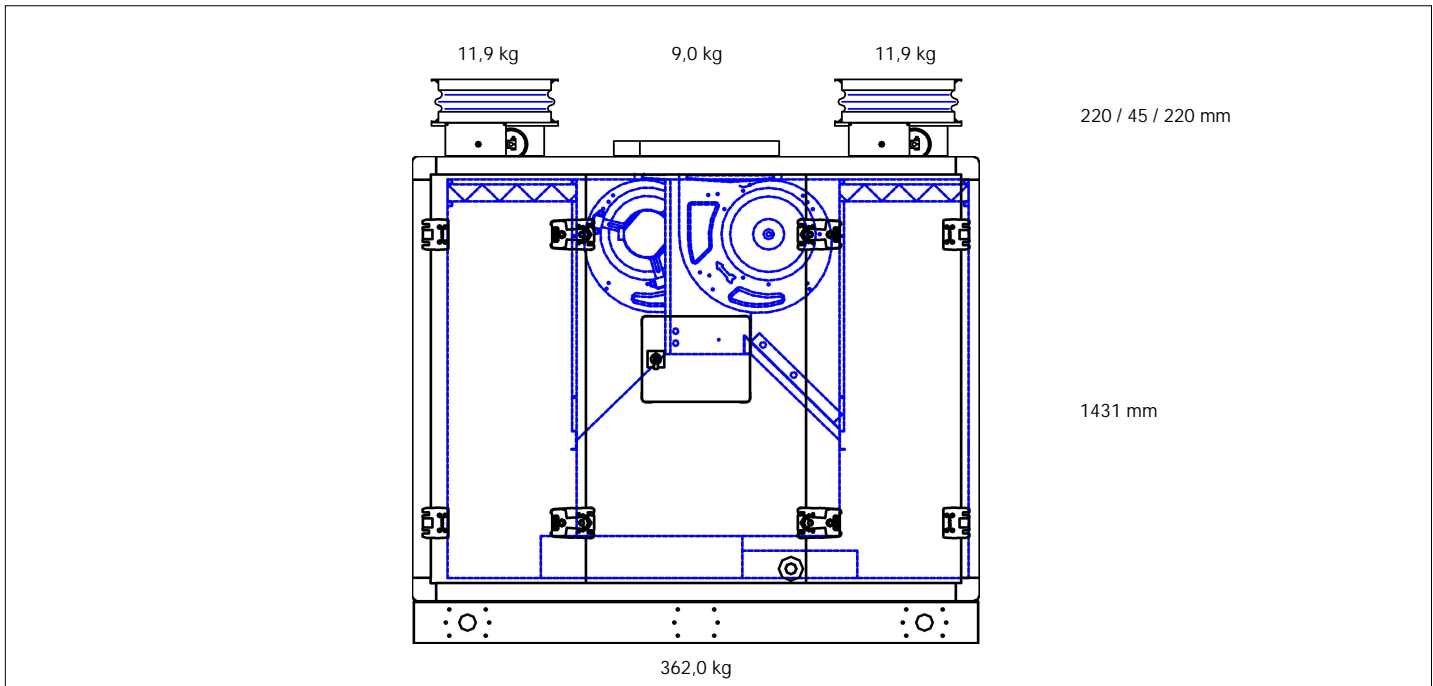
Circular outlet - SR ø 400 mm

Base frame - BA

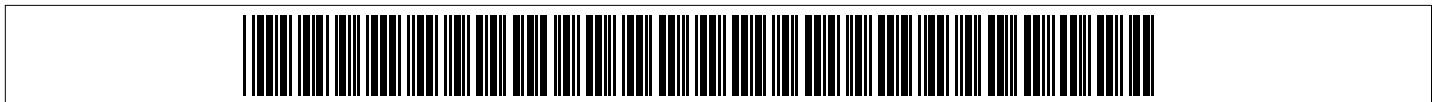
Flexible connection + Slip Clamp (air in) - MS

Company :	Date :	2018/06/11.
To :	From :	agrava
Subject :	Page :	4 / 4
Reference :		

Model :	GLOBAL PX TOP 2000 FW R
---------	--------------------------------



Manufacturing info		
887114	880563	882868
882106	882038	
882038	880563	



Detail	
IDCode	Description
887114	GLOBAL PX TOP 2000 FW R
882106	GLOBAL PX TOP 2000 NV
882038	GLOBAL PX TOP 2000 CT
880563	GLOBAL PX TOP 2000 MSA
882038	GLOBAL PX TOP 2000 CT
880563	GLOBAL PX TOP 2000 MSA
882868	GLOBAL PX TOP 2000 SR/SR

Accessories (included)		
IDCode	Quantity	Description
372096	1	HMI TACtouch touchscreen user interface
370005	1	SAT3 Relay satellite (fan ON or CT+ AL dPA)

Options (not included)		
IDCode	Quantity	Description
510091	1	GF Filter kit GLOBAL PX TOP 2000 FW (M5/F7)
372004	1	KIT SAT TAC5 BA/KW Regulation satellite for external coil (0-10V)
025006	1	SAT TAC5 MODBUS Communication satellite Modbus RTU
370015	1	SENS Wallmounting air quality sensor
370016	1	SENS Duct air quality sensor